

# CL35



## DUMPING HEIGHT

7'9"

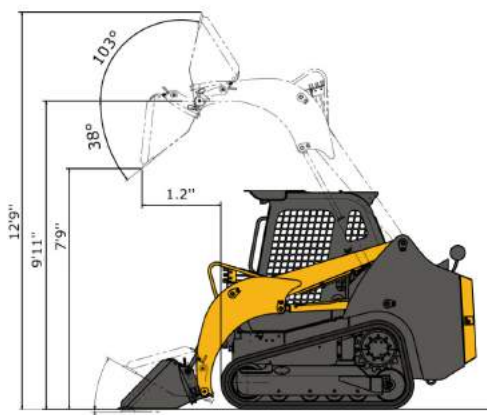
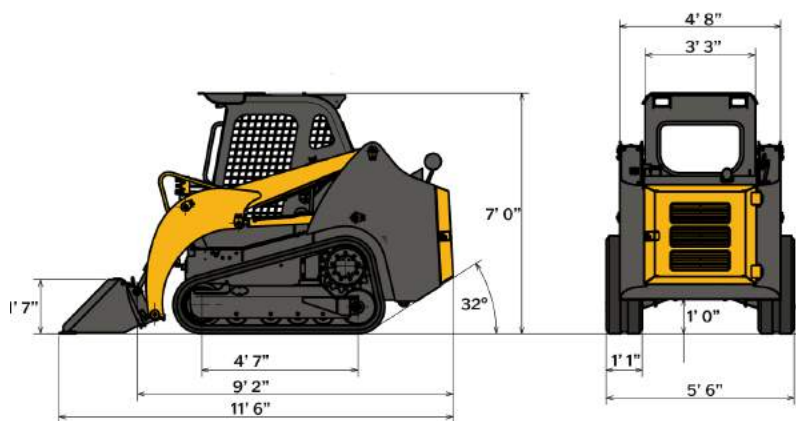
## OUTPUT RATING

62HP

## OPERATIONG WEIGHT

7,804.4 LBS

# KATO



### CL35

Working Ranges

A.	Max operating height	12'9"
B.	Max hinge-pin height	9'11"
C.	Max dumping height	7'9"
D.	Max reach - raised	1.2"

# CL35

MODEL	CL35
<b>PERFORMANCE</b>	
Heaped Bucket Capacity	12.7 ft <sup>3</sup>
Bucket Width	5' 8"
Operating Weight	7,804.4 lbs / 7,936.6 lbs
Transportation Weight	7,639.0 lbs / 7,771.3 lbs
Gradeability	30°
Travel Speed (High/Low)	4.2 mph / 6.2 mph
Tipping Capacity	4,916.3 lbs
Rated Capacity (35% Tip)	1720.7 lbs
Operating Capacity (50% Tip)	2458.2 lbs
Ground Pressure (Canopy/Cab)	5.62 psi / 5.71 psi
Bucket Digging Force	6,474 lbs
<b>Engine</b>	
Model	KUBOTA V2403-CR
Output Rating	62 hp / 2,700rpm
Fuel Tank Capacity	24 gallons
Battery	12V
Fuel Consumption	1.26 gal/hr
<b>HYDRAULIC SYSTEM</b>	
System Pressure	2,987.8 psi
Hydraulic Tank Capacity	10.6 gal
Aux. Hydraulic Flow	17 gpm

# KATO

EXCAVATORS AND TRACK LOADERS

[www.KATOCES.com](http://www.KATOCES.com)

400 Production Court

Elizabethtown, KY 42701

(800) 538-1447 | Fax: (270) 737-0419