

17VXB



DIGGING DEPTH

7'0"

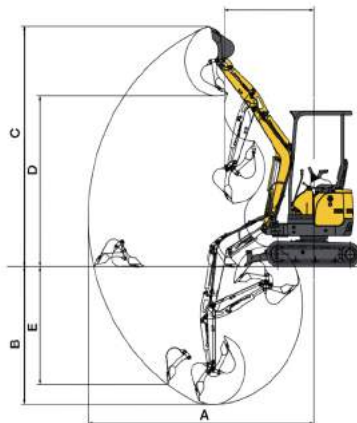
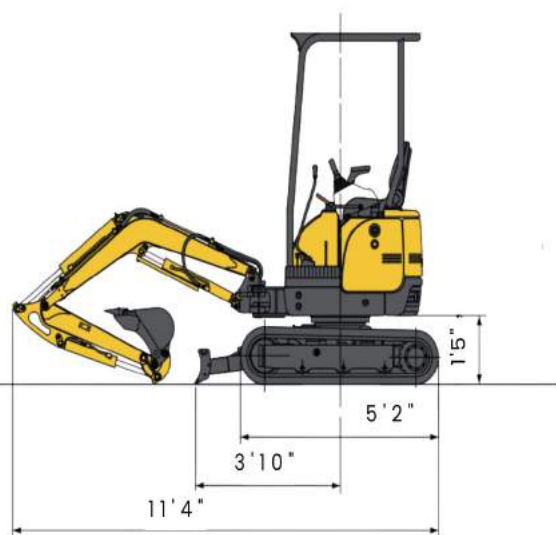
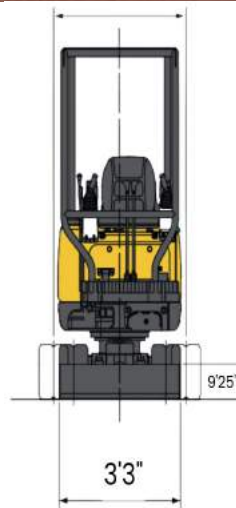
SWING SPEED

8.5RPM

OPERATING WEIGHT

4,200 LBS

KATO



17VXB

Working Ranges

A.	Max. digging radius	12'4"
B.	Max. digging depth	7'0"
C.	Max. vertical digging depth	5'10"
D.	Max. dumping height	8'5"
E.	Max. digging height	11'10"
F.	Min. front turning radius	4'11"
G.	At right boom swing	4'2"

17V 17VXB

MODEL	17VXB
Performance	
Bucket capacity	1.6 ft ³
Bucket width	12"
Operating weight: 4-Post	4,200 lbs
Transportation weight: 4-Post	3,915 lbs
Swing speed	8.5 rpm
Travel speed (low\high)	1.3\ 2.5 mph
Gradeability	30°
Ground pressure	4.4 psi
Max.bucket digging force	3,687 lbs
Engine	
Type	Electric Motor & Li-Ion Battery
Run Time	8 Hours
Recharge Time (25% Recharge)	8 Hours (1 Hour)
Boom swing system	
Type	Offset Boom w/ Hydraulic Cyl.
Swing angle (L\R)	50°\70°
Hydraulic system	
Total Hydraulic System Flow	12 gpm
Max Auxiliary Hydraulic Flow	7 gpm
Dozer blade	
Size	3' 3" x 9.25"
Lift Above / Drop Below Ground	11.8" / 9"

KATO

EXCAVATORS AND TRACK LOADERS

www.KATOCES.com

400 Production Court

Elizabethtown, KY 42701

(800) 538-1447 | Fax: (270) 737-0419