

# IC37-Crawler Carrier



## PAYLOAD

8,157 LBS

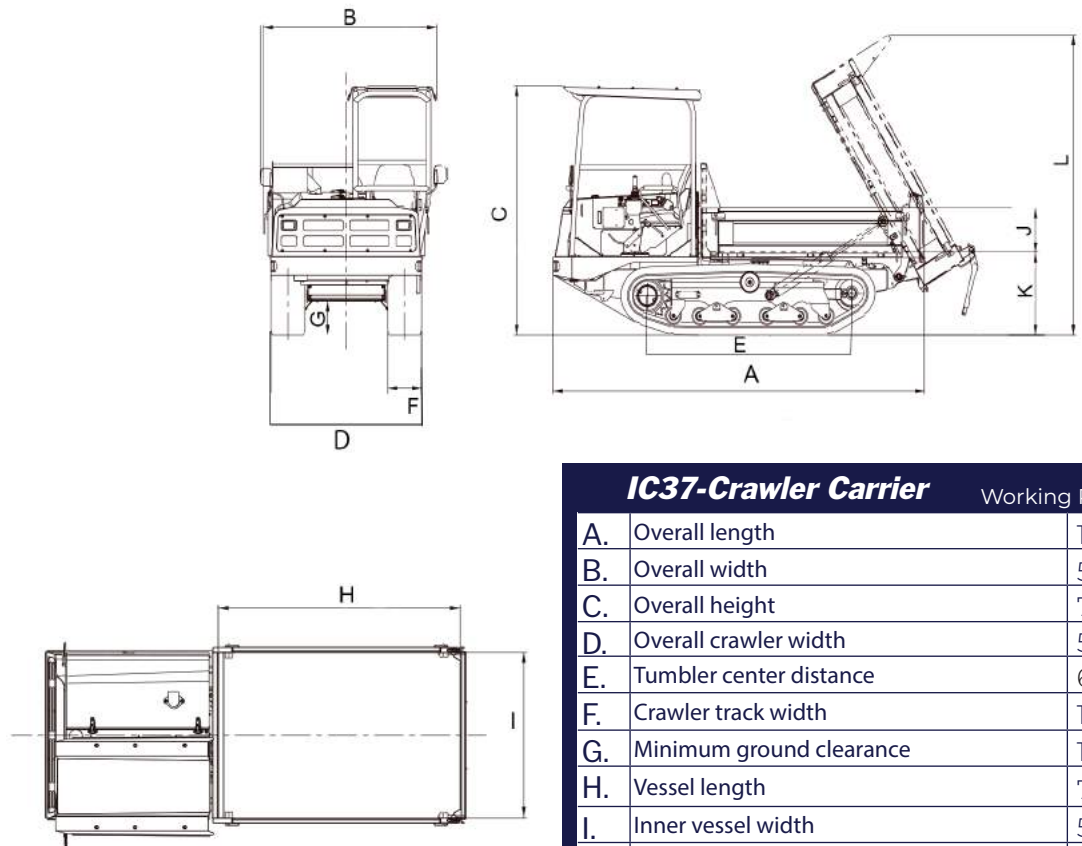
## OUTPUT RATING

62.7 HP

## TRANSPORT WEIGHT

6,415 LBS

# KATO

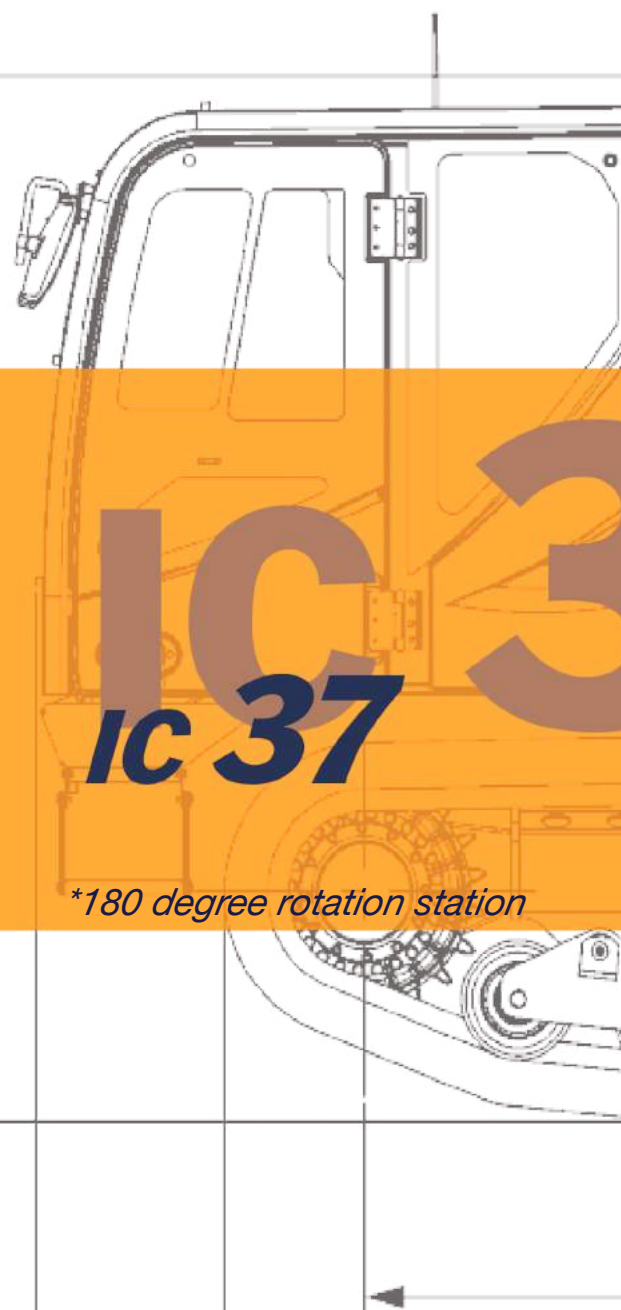


### IC37-Crawler Carrier

Working Ranges

|    |                                 |       |
|----|---------------------------------|-------|
| A. | Overall length                  | 12'6" |
| B. | Overall width                   | 5'10" |
| C. | Overall height                  | 7'9"  |
| D. | Overall crawler width           | 5'1"  |
| E. | Tumbler center distance         | 6'11" |
| F. | Crawler track width             | 1'2"  |
| G. | Minimum ground clearance        | 1'6"  |
| H. | Vessel length                   | 7'3"  |
| I. | Inner vessel width              | 5'0"  |
| J. | Vessel                          | 16.5" |
| K. | Vessel floor height from ground | 2'7"  |
| L. | Max dump height                 | 9'4"  |

# 180° Rotating Operator Seat



| MODEL                           | IC37                     |
|---------------------------------|--------------------------|
| <b>Performance</b>              |                          |
| Transport Weight                | 6,415 lbs                |
| Payload                         | 8,157 lbs                |
| Ground Pressure (Empty/ Loaded) | 3.75 psi/ 8.64 psi       |
| Travel Speed (Low/High)         | 3.9/6.2 MPH              |
| Gradeability                    | 20 Degrees               |
| <b>Engine</b>                   |                          |
| Model                           | Kubota V2403-CR-TE5      |
| Rated Output                    | 62.7 HP/ Tier 4 Final    |
| Fuel Tank Capacity              | 18.5 Gallons             |
| Def Tank Capacity               | n/a                      |
| <b>Vessel</b>                   |                          |
| Leveled                         | 1.83 yards <sup>3</sup>  |
| Heaped                          | 2.16 yards <sup>3</sup>  |
| Dimensions LxWxH                | 7'2" x 5' x 1'5"         |
| Style                           | Three way opening vessel |



[www.KATOCES.com](http://www.KATOCES.com)

400 Production Court

Elizabethtown, KY 42701

(800) 538-1447 | Fax: (270) 737-0419