

**HD308 US-7**



## DIGGING DEPTH

15'

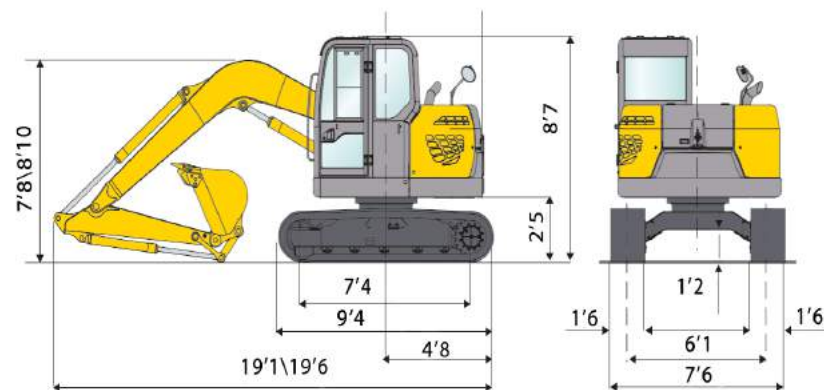
## OUTPUT RATING

57 HP/ 2,000 RPM

## OPERATING WEIGHT

19,750 lbs

# KATO



### HD308 US-7

RANGE ARM		Long Arm: 81.496m
A.	Maximum Digging Radius	22'8
B.	Maximum Digging Depth	15'
C.	Maximum Digging Height	25'7
D.	Maximum Vertical Wall	13'7
E.	Maximum Dumping Height	18'8
F.	Minimum Swing Radius	6'7

\* ft inches

# HD HD308 U

<b>MODEL</b>	HD308 US-7
<b>PERFORMANCE</b>	
Bucket Capacity	10 ft <sup>3</sup>
Bucket Width	24"
Operating Weight	19,750 lbs
Transport Weight	18,500 lbs
Swing Speed	13.0 min <sup>-1</sup>
Travel Speed (Low\High)	2 mph \ 3mph
Gradeability	35°
Ground Pressure	4.79 lbs psi
Bucket Digging Force	14,803 lbs
<b>ENGINE</b>	
Model	Yanmar YDN-4 TNV 98C
Output Rating	57 hp/2,000 rpm
Fuel Tank Capacity	34.34 gal
<b>HYDRAULIC SYSTEM</b>	
System Pressure	4,264 psi
System Flow	2x22 • 35 gpm
1st Line Max Auxiliary Flow	30 gpm \ 2700 psi
2st Line Max Auxiliary Flow \ Pressure	16 gpm \ 3000 psi
<b>DOZER BLADE</b>	
Size	1'5" x 7'6 <sup>1</sup> / <sub>2</sub> "

# KATO

**EXCAVATORS AND TRACK LOADERS**

[www.KATOCES.com](http://www.KATOCES.com)

400 Production Court

Elizabethtown, KY 42701

(800) 538-1447 | Fax: (270) 737-0419