

IC37-Crawler Carrier



PAYLOAD

8,157 LBS

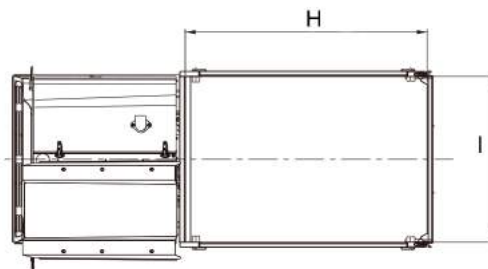
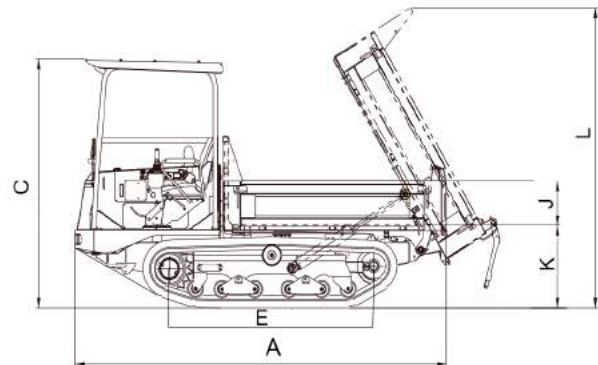
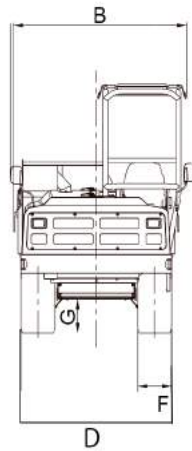
OUTPUT RATING

62.7 HP

TRANSPORT WEIGHT

6,415 LBS

KATO

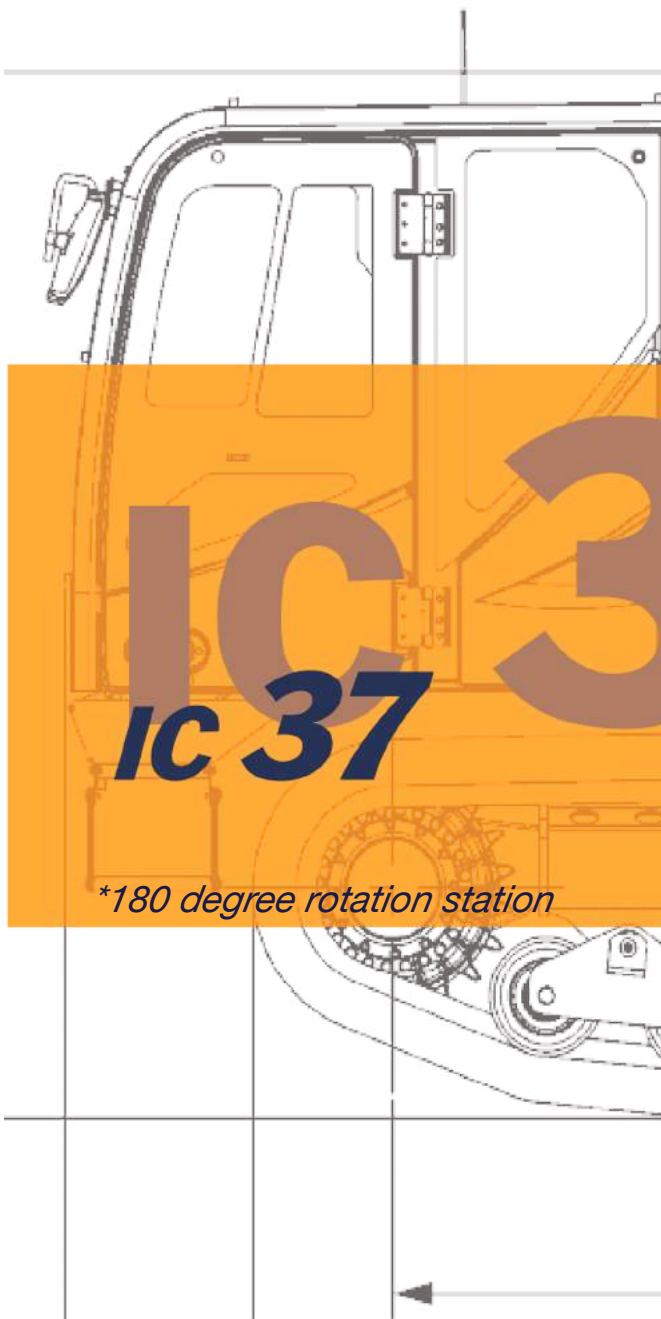


IC37-Crawler Carrier

Working Ranges

| | | |
|----|---------------------------------|-------|
| A. | Overall length | 12'6" |
| B. | Overall width | 5'10" |
| C. | Overall height | 7'9" |
| D. | Overall crawler width | 5'1" |
| E. | Tumbler center distance | 6'11" |
| F. | Crawler track width | 1'2" |
| G. | Minimum ground clearance | 1'6" |
| H. | Vessel length | 7'3" |
| I. | Inner vessel width | 5'0" |
| J. | Vessel | 16.5" |
| K. | Vessel floor height from ground | 2'7" |
| L. | Max dump height | 9'4" |

180° Rotating Operator Seat



| | |
|---------------------------------|--------------------------|
| MODEL | IC37 |
| Performance | |
| Transport Weight | 6,415 lbs |
| Payload | 8,157 lbs |
| Ground Pressure (Empty/ Loaded) | 3.75 psi/ 8.64 psi |
| Travel Speed (Low/High) | 3.9/6.2 MPH |
| Gradeability | 20 Degrees |
| Engine | |
| Model | Kubota V2403-CR-TE5 |
| Rated Output | 62.7 HP/ Tier 4 Final |
| Fuel Tank Capacity | 18.5 Gallons |
| Def Tank Capacity | n/a |
| Vessel | |
| Leveled | 1.83 yards ³ |
| Heaped | 2.16 yards ³ |
| Dimensions LxWxH | 7'2" x 5' x 1'5" |
| Style | Three way opening vessel |



www.KATOCES.com

400 Production Court

Elizabethtown, KY 42701

(800) 538-1447 | Fax: (270) 737-0419