

# IC55-Crawler Carrier



## PAYLOAD

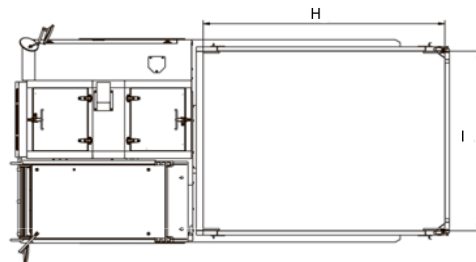
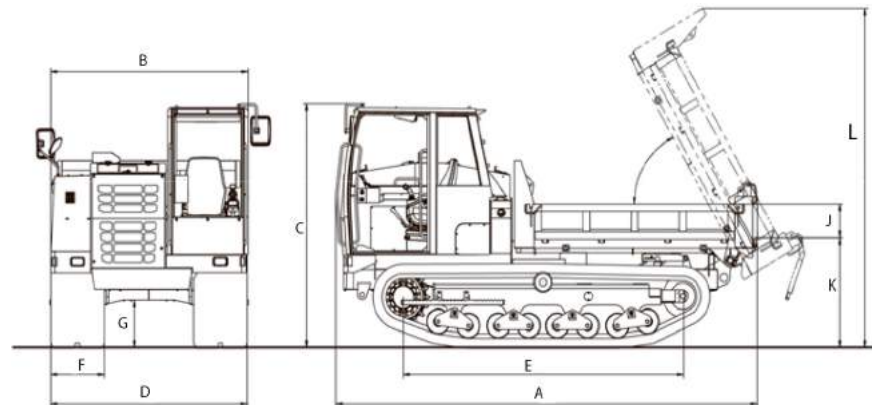
11,000 LBS

## OUTPUT RATING

105 HP

## TRANSPORT WEIGHT

14,200 LBS



### IC55-Crawler Carrier

Working Ranges

A.	Overall length	15'5"
B.	Overall width	7'3"
C.	Overall height	8'3"
D.	Overall crawler width	7'3"
E.	Tumbler center distance	10'3"
F.	Crawler track width	2'0"
G.	Minimum ground clearance	1'7"
H.	Vessel length	8'6"
I.	Inner vessel width	6'5"
J.	Vessel height	14"
K.	Vessel floor height from ground	3'9"
L.	Max dump height	11'7"

# KATO



MODEL	IC55
<b>Performance</b>	
Transport Weight	14,200 lbs
Payload	11,000 lbs
Ground Pressure (Empty/ Loaded)	3.25 psi/ 5.81 psi
Travel Speed (Low/High)	6.2/7.5 MPH
Gradeability	20 Degrees
<b>Engine</b>	
Model	Kubota V3800
Rated Output	105 HP
Fuel Tank Capacity	39.6 Gallons
Def Tank Capacity	4.75 Gallons
<b>Vessel</b>	
Leveled	2.35 yards <sup>3</sup>
Heaped	3.92 yards <sup>3</sup>
Dimensions LxWxH	8'6" x 6'5" x 1'2"
Style	Three way opening vessel
Maximum Dump Angle	60°



[www.KATOCES.com](http://www.KATOCES.com)

400 Production Court

Elizabethtown, KY 42701

(800) 538-1447 | Fax: (270) 737-0419