

# IC100-5 Crawler Carrier



**PAYLOAD**

22,050 LBS

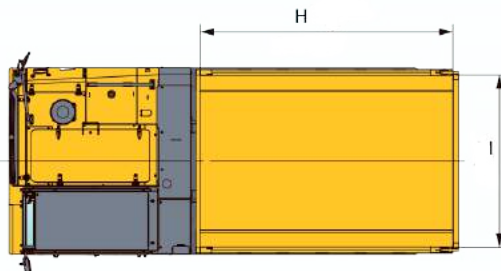
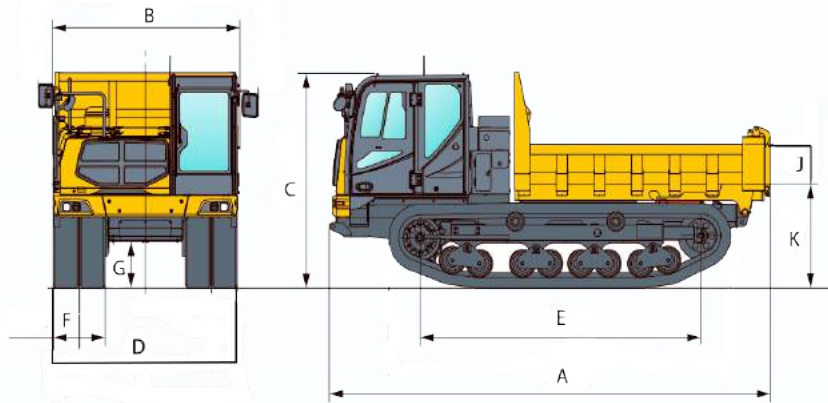
**OUTPUT RATING**

256 HP

**TRANSPORT WEIGHT**

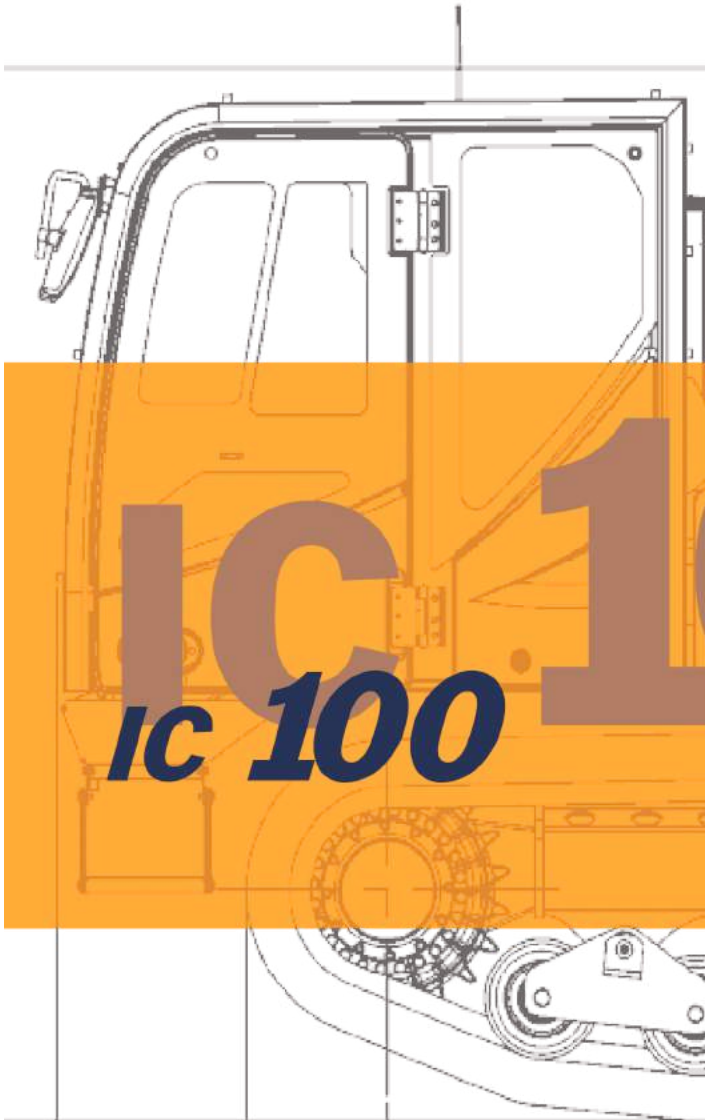
25,507 LBS

**KATO**



## IC100-5 Crawler Carrier Working Ranges

A.	Overall length	19'7"
B.	Overall width	9'9"
C.	Overall height	8'10"
D.	Overall crawler width	8'4"
E.	Tumbler center distance	12'5"
F.	Crawler track width	2'4"
G.	Minimum ground clearance	1'11"
H.	Vessel length	10'10"
I.	Inner vessel width	7'6"
J.	Vessel height	19.5"
K.	Vessel floor height from ground	4'4"
L.	Max dump height	14'8"



MODEL	IC100
<b>Performance</b>	
Transport Weight	25,507 lbs
Payload	22,050 lbs
Ground Pressure (Empty/ Loaded)	4.05 psi/ 7.56 psi
Travel Speed (Low/High)	5.0/7.5 MPH
Gradeability	20 Degrees
<b>Engine</b>	
Model	Cummins B6.7
Rated Output	256 HP
Fuel Tank Capacity	82.4 Gallons
Def Tank Capacity	12.3 Gallons
<b>Vessel</b>	
Leveled	4.8 yards <sup>3</sup>
Heaped	7.3 yards <sup>3</sup>
Dimensions LxWxH	10'10" x 7'6" x 1'7"
Style	Boat-shaped rear opening vessel
Maximum Dump Angle	65°



[www.KATOCES.com](http://www.KATOCES.com)

400 Production Court

Elizabethtown, KY 42701

(800) 538-1447 | Fax: (270) 737-0419