

9VXE



DIGGING DEPTH

5'2"

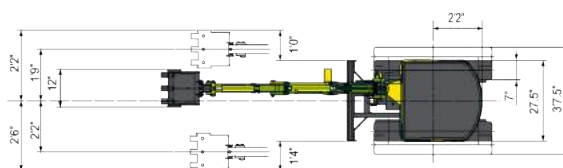
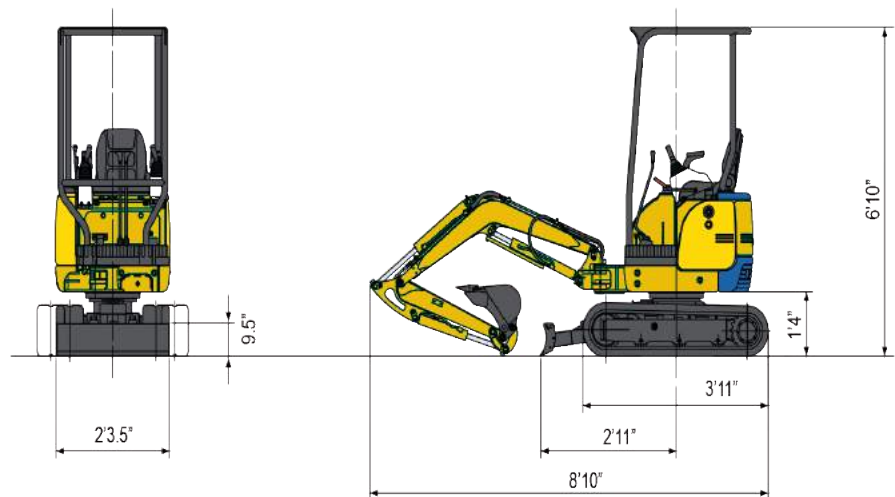
POWER SUPPLY

50 AMP

DIGGING FORCE

2,360 LBS

KATO



9VXE

Working Ranges

A.	Max. digging radius	9'9"
B.	Max. digging depth	5'2"
C.	Max. digging height	9'0"
D.	Max. dumping height	6'6"
E.	Max. vertical digging depth	3'10"
F.	Min. front turning radius	4'0"
	At right boom swing	3'1"

9V 9VXE

MODEL	9VXE
Performance	
Bucket capacity	8 cu. ft.
Bucket width	12"
Operating weight	2,060 lbs
Transportation weight	1,885 lbs
Swing speed	8.7 rpm
Travel speed (low\high)	1.1\ 2.2 mph
Gradeability	30°
Ground pressure	3.8 psi
Max.bucket digging force	2,360 lbs
Motor	
Model	Baldor 5 hp
Rated output	208-480 volt
Boom swing system	
Type	Boom offset with hydraulic cylinder
Swing angle (L\R)	50°\90°
Hydraulic system	
Pressure	2,350 psi
Pump hydraulic flow	2.93 gal\min x2
Pump type	Gear
Auxiliary Flow	5.85 gal
Dozer blade	
Size	27.5" x 11"
Lift above ground\ Drop below ground	9" \ 8"

KATO
EXCAVATORS AND TRACK LOADERS

www.KATOCES.com

400 Production Court

Elizabethtown, KY 42701

(800) 538-1447 | Fax: (270) 737-0419