

**HD55N4**

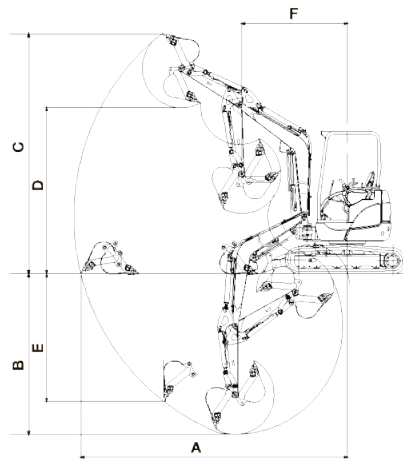
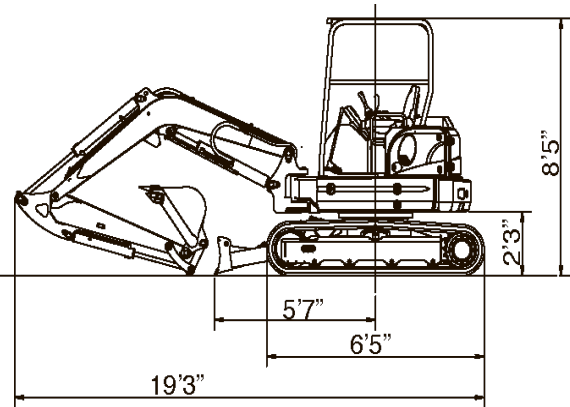
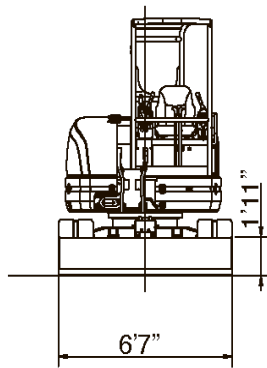


**DIGGING DEPTH**  
12'8"

**OUTPUT RATING**  
54.7HP

**OPERATING WEIGHT**  
12,733 lbs

**KATO**



<b>HD55N4</b>		Working Ranges
A.	Maximum Digging Radius	20'
B.	Maximum Digging Depth	12'8"
C.	Maximum Digging Height	18'10"
D.	Maximum Dumping Height	12'10"
E.	Maximum Vertical Digging Depth	9'8"
F.	Minimum Front Turning Radius	7'3"
	At Right Boom Swing	5'10"

<b>MODEL</b>	HD55N4
<b>PERFORMANCE</b>	
Operating weight	12,447 lbs (12,733 lbs)
Transportation weight	11,795 lbs (11,955 lbs)
Bucket Capacity	4.6 cu.ft
Bucket Weight	24"
Swing Speed	9.0 rpm
Travel Speed (low/high)	1.6-2.8 mph
Ground Pressure	4.5 psi
Max Bucket Digging Force	11,071 lbs
<b>ENGINE</b>	
Rated output	54.7hp/2400 rpm
Fuel tank capacity	19.8 gallons
<b>BOOM SWING SYSTEM</b>	
Type	Boom Offset with Hydraulic Cylinder
Swing Angle (L / R)	50° / 90°
<b>HYDRAULIC SYSTEM</b>	
Pressure	2,987 psi
Pump* Type/ Hydraulic Flow	2 Piston/2 Gear • 17.1 gpm
1st line	29.7 gpm
<b>DOZER BLADE</b>	
Size	14.5"
Lift Above ground / Drop Below Ground	15" / 15"

**HD!**  
**HD55N4**

**4**

**KATO**  
EXCAVATORS AND TRACK LOADERS

**www.KATOCES.com**  
**400 Production Court**  
**Elizabethtown, KY 42701**  
**(800) 538-1447 | Fax: (270) 737-0419**