

# IHI

COMPACT EXCAVATOR SALES LLC

400 Production Court  
 Elizabethtown, KY 42701  
 Phone: 800.538.1447 Fax 270.737.0419  
 www.ihices.com

## 40VX<sup>3</sup>



### Operability

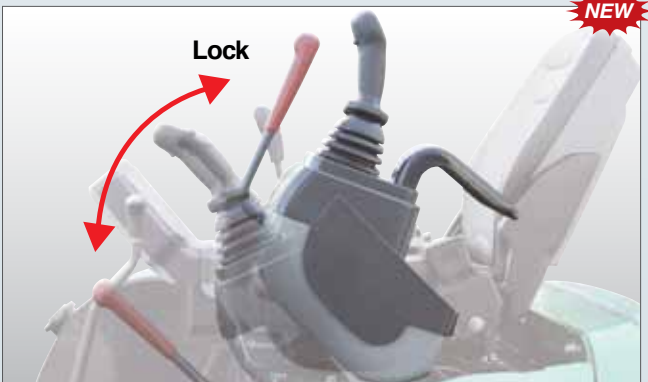
#### ■ Newly designed operator's space



The new redesigned operators station includes such features as a newly designed monitor, 2 speed travel switch located on the backfill blade lever, and the auxiliary hydraulic switch located on the joystick.

### Safety

#### ■ Gate lock system as standard equipment is designed to disable all operations



The master gate lock system enables you to disable all functions such as boom, arm, bucket, swing, boom swing, travel and backfill blade.

#### ■ Swing motor with auto parking brake

The swing motor with an auto parking brake allows the unit to be locked at any position within a 360° circumference.

#### ■ Neutral engine start system.

The engine will only start when the gate-lock is pulled up to avoid mis-operations.

### Easy Maintenance

#### ■ Segmented backfill blade cylinder hose design makes replacement easier



#### ■ Segmented boom cylinder hose design makes replacement easier



- Wide, fully opening engine-cover enables ease of maintenance
- Filters are conveniently located, making it easy to replace them
- Sintered bushes create longer interval for greasing
- Corrosion-free, resin fuel-tank

### Durability



#### ■ Warranted, highly durable rubber track comes as standard equipment

Like no others in the industry, the rubber track is warranted for either 2 years or 1,500 hours against steel cord cut-off.

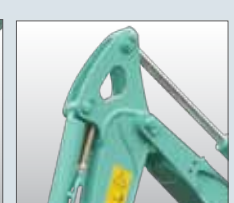
#### ■ Highly durable backfill blade made even stronger



#### ■ Embedded boom center working lights



#### ■ Bucket cylinder hose built inside the arm

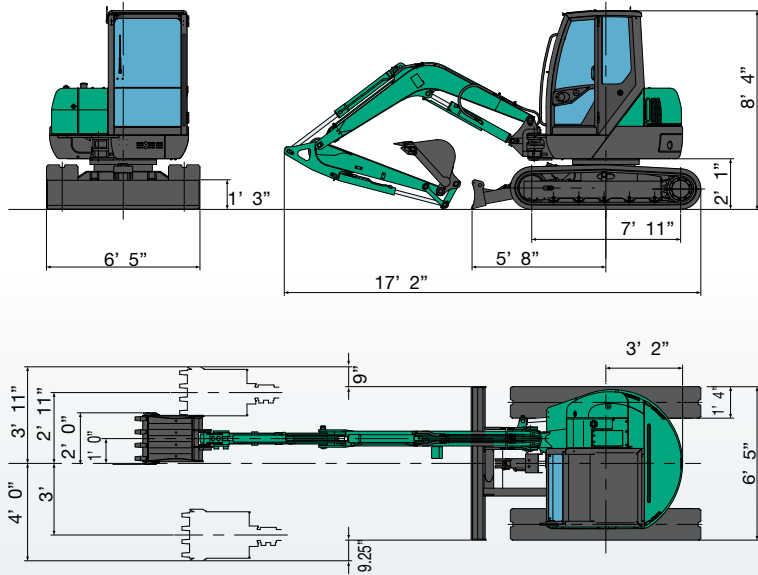


# 40VX3 Mini Excavator

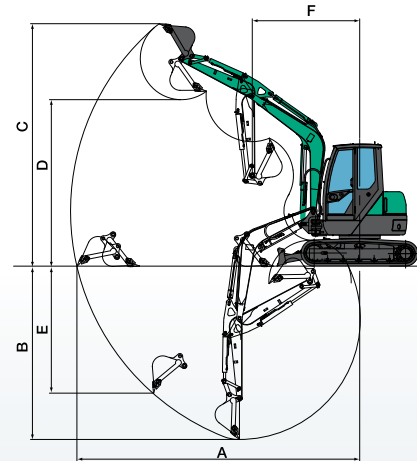
Standard Bucket Capacity : ISO 4.6 cu. ft.



## ■ Dimensions



## ■ Working Range



	4-Post/Cabin
A Max. digging radius	19'1"
B Max. digging depth	11'2"
C Max. digging height	17'5"/16'7"
D Max. dumping height	12'0"/11'3"
E Max. vertical digging depth	11'9"
F Min. front turning radius	7'9"/8'6"
At right boom swing	6'7"/7'3"

## ■ 40VX3 Specifications

Performance		Boom swing system	
Bucket capacity	4.6 cu.ft.	Type	Boom offset with hydraulic cylinder
Bucket width	24"	Swing angle (L/R)	50°/90°
Operating weight: 4-post(Cabin)	9,919 lbs. (10,206 lbs.)	<b>Hydraulic system</b>	
Transportation weight: 4-post(Cabin)	9,754 lbs. (10,041 lbs.)	Pressure	3,000 psi
Swing speed	8.9 min <sup>-1</sup>	Pump •type/hydraulic flow	2 Piston/2 Gear•15.9 gal/min x 2 +11.6 gal/min
Travel speed (low/high)	1.9/3.2 mph	<b>Dozer blade</b>	
Gradeability	30°	Size	76.8"x14.6"
Ground pressure	3.6 psi	Lift above ground / Drop below ground	16.1"/14.2"
Max bucket digging force	9,854 lbs.	<b>Max auxiliary flow</b>	
<b>Engine</b>		1st line	27.5 gal/min
Model	YANMAR 4TNV88	2nd line (optional)	11.4 gal/min
Rated output	37.1 hp/2,400 rpm		
Fuel tank capacity	17.2 gallons		

## ■ Options

### Bucket

- 8"
- 12"
- 18"
- 24" (standard)
- 36"
- 48" Ditch cleaning bucket
- 48" Hydraulic swivel bucket

- 1st auxiliary piping }.....①
- 2nd auxiliary piping \* }.....②
- 3rd auxiliary piping \* }.....③
- Embedded boom light....②
- Steel Canopy \*
- Steel tracks \* (15.8").....③

- Quick coupler \*
- Rubber pad for steel track \*
- Hydraulic thumb \*
- \* (optional)



Distributed by **Compact Excavator Sales LLC**

400 Production Court, P.O. Box 667 • Elizabethtown, KY 42702-0667 • Phone: 1-800-538-1447 • Fax: 270-737-0419

[www.ihices.com](http://www.ihices.com)