



35VX³

IHI

COMPACT EXCAVATOR SALES LLC

400 Production Court
 Elizabethtown, KY 42701
 Phone: 800.538.1447 Fax 270.737.0419
 www.ihices.com

Operability

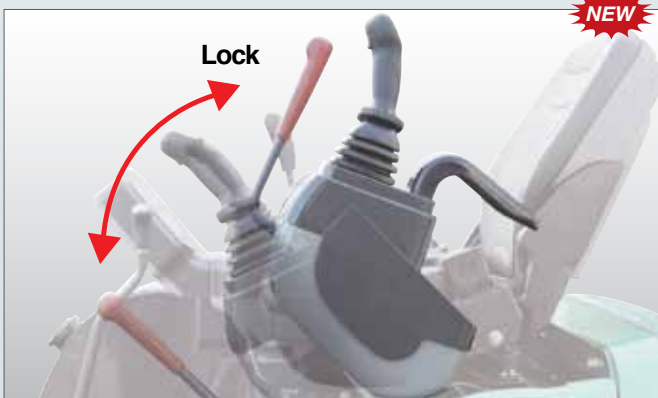
■ Newly designed operator's space



The new redesigned operators station includes such features as a newly designed monitor, 2 speed travel switch located on the backfill blade lever, and the auxiliary hydraulic switch located on the joystick.

Safety

■ Gate lock system as standard equipment is designed to disable all operations



The master gate lock system enables you to disable all functions such as boom, arm, bucket, swing, boom swing, travel and backfill blade.

■ Swing motor with auto parking brake

The swing motor with an auto parking brake allows the unit to be locked at any position within a 360° circumference.

■ Neutral engine start system.

The engine will only start when the gate-lock is pulled up to avoid mis-operations.

Easy Maintenance

Wide, fully opening engine-cover enables ease of maintenance



With the widest ranging expandable tracks, the 35VX-3 can access tight spaces by retracting the tracks to 60" and expanding to 71" for greater stability and performance.



- Filters are conveniently located, making it easy to replace them
- Sintered bushes create longer interval for greasing

Durability



■ Warranted, highly durable rubber track comes as standard equipment

Like no others in the industry, the rubber track is warranted for either 2 years or 1,500 hours against steel cord cut-off.

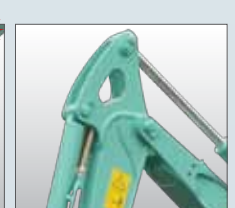
■ Highly durable backfill blade made even stronger



■ Embedded boom center working lights



■ Bucket cylinder hose built inside the arm

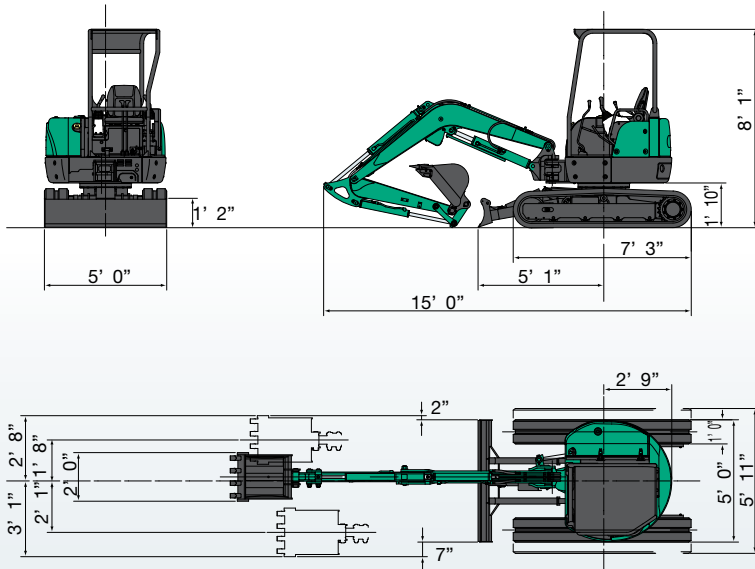


35VX3 Mini Excavator

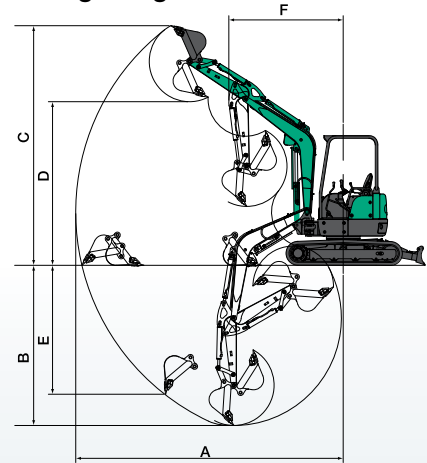
Standard Bucket Capacity : ISO 3.9 cu. ft.




■ Dimensions



■ Working Range



	4-Post or Cabin	Side Arm min/max
A Max. digging radius	17'9"	17'1"/19'9"
B Max. digging depth	11'4"	10'4"/13'1"
C Max. digging height	16'2"	15'7"/17'2"
D Max. dumping height	11'1"	10'10"/12'6"
E Max. vertical digging depth	9'8"	7'8"/10'3"
F Min. front turning radius	7'2"	7'7"
At right boom swing	5'8"	6'2"

■ 35VX3 Specifications

Performance		Boom swing system	
Bucket capacity	3.9 cu. ft.	Type	Boom offset with hydraulic cylinder
Bucket width	24"	Swing angle (L/R)	50°/90°
Operating weight: 4-Post (Cabin)	7,507 lbs. (7,727 lbs.)	Hydraulic system	
Transportation weight: 4-Post (Cabin)	7,341 lbs. (7,562 lbs.)	Pressure	3,000 psi
Swing speed	8.8 min ⁻¹	Pump •type/ hydraulic flow	2 Piston/2 Gear • 10.6 gal/min x 2 +6.5 gal/min
Travel speed (low/high)	1.7/3.0 mph	Dozer blade	
Gradeability	30°	Size	60"x 14"
Ground pressure	4.2 psi	Lift above ground / Drop below ground	14.6"/15"
Max bucket digging force	7,688 lbs.	Max auxiliary flow	
Engine		1st line	16.6 gal/min
Model	YANMAR 3TNV88	2nd line (optional)	6.3 gal/min
Rated output	27.6 hp/2,300 rpm		
Fuel tank capacity	9.2 gallons		

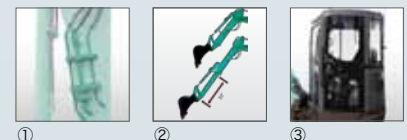
■ Options

Bucket

- 8"
- 12"
- 18"
- 24" (standard)
- 36"
- 48" Ditch cleaning bucket
- 48" Hydraulic swivel bucket

- 1st auxiliary piping
- 2nd auxiliary piping * ①
- 3rd auxiliary piping *
- SLIDE ARM *.....②
- Steel cabin *.....③
- Expandable tracks
- Hydraulic thumb *

- Quick coupler *
- Steel track * (12")
- Rubber pad for steel track *
- * (optional)



Distributed by **Compact Excavator Sales LLC**

400 Production Court, P.O. Box 667 • Elizabethtown, KY 42702-0667 • Phone: 1-800-538-1447 • Fax: 270-737-0419

www.ihices.com